

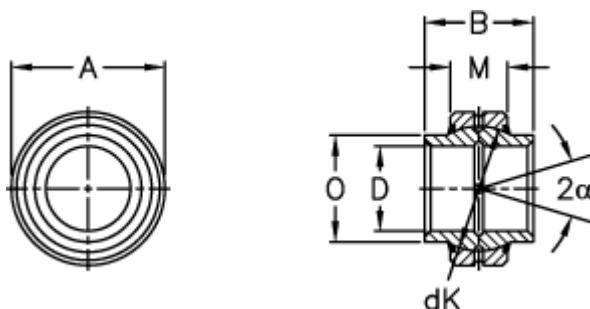
Data Sheet



Article number: 03503060

Description: Fluro Rod end GE 60HO-2RS

Measures



A	= 90 0 -0,015	Tilt angle = 3
B	= 54	Weight = 1100
D	= 60 0 -0,015	
dK	= 80	
Dynamic load C (kN)	= 245	
M	= 36	
O	= 67.7	
Static load C0 (kN)	= 1220	